

Transient Voltage Suppressors (TVS) Data Sheet

Features

- Glass passivated junction
- Low inductance
- Excellent clamping capability
- 3000W peak pulse power capability at 10/1000µs waveform, repetition rate (duty cycle): 0.01%
- Fast response time
- Typical I_R less than 2µA above 10V.
- High Temperature soldering guaranteed: 265°C/10 seconds/.375", (9.5mm) lead length, 5lbs (2.3kg) tension
- Plastic package has underwriters laboratory flammability 94V-0
- Meets MSL level 1, per J-STD-020
- Safety certification: UL: E244458
- AEC-Q101 qualified



Mechanical Data

- Case: Moulded plastic over glass passivated junction
- Terminal: Plated Axial leads, solderable per MIL-STD-750, Method 2026
- Polarity: Color band denotes cathode except bi-directional models
- Mounting Position: Any
- Weight: 2.02g

Applications

- I/O interface
- AC/DC power supply
- Low frequency signal transmission line (RS232, RS485, etc.)

Maximum Ratings and Characteristics

Ratings at 25°C ambient temperature unless otherwise specified.

Rating	Symbol	Value	Units
Peak pulse power dissipation at 10/1000µs waveform (Note1, Fig.1)	P_{PPM}	Minimum 3000	Watts
Peak pulse current of at 10/1000µs waveform (Note 1, Fig.3)	I_{PPM}	See Table	Amps
Steady state power dissipation at $T_L=75^\circ\text{C}$ (Fig.5)	$P_{M(AV)}$	7.0	Watts
Peak forward surge current, 8.3ms single half sine-wave superimposed on rated load, (JEDEC Method) (Note2, Fig.6)	I_{FSM}	300	Amps
Operating junction and Storage Temperature Range.	T_J, T_{STG}	-55 to +150	°C
Typical thermal resistance junction to lead	$R_{\theta JL}$	8	°C/W
Typical thermal resistance junction to ambient	$R_{\theta JA}$	40	°C/W

Notes: 1. Non-repetitive current pulse, per Fig.3 and derated above $T_A=25^\circ\text{C}$ per Fig.2.

2. 8.3ms single half sine-wave, or equivalent square wave, duty cycle=4 pulses per minutes maximum.

Dimensions (P600)

Symbol	Millimeters		Inches	
	Min.	Max.	Min.	Max.
L	25.40	-	1.000	-
T	8.60	9.10	0.340	0.360
d	8.60	9.10	0.340	0.360
s	1.19	1.32	0.047	0.052

Electrical Characteristics (T_A=25°C)

Part Number		Reverse Stand-Off Voltage	Breakdown Voltage @I _T	Test Current	Maximum Clamping Voltage @I _{PP}	Peak Pulse Current	Reverse Leakage @V _{RWM}
Unidirectional	Bidirectional	V _{RWM} (V)	V _{BR} (V)	I _T (mA)	V _C (V)	I _{PP} (A)	I _R (μA)
3KP5.0A-AT	3KP5.0CA-AT	5.0	6.40~7.00	10	9.2	326.1	5000
3KP6.0A-AT	3KP6.0CA-AT	6.0	6.67~7.37	10	10.3	291.3	5000
3KP6.5A-AT	3KP6.5CA-AT	6.5	7.22~7.98	10	11.2	267.9	2000
3KP7.0A-AT	3KP7.0CA-AT	7.0	7.78~8.60	10	12.0	250.0	1000
3KP7.5A-AT	3KP7.5CA-AT	7.5	8.33~9.21	1	12.9	232.6	250
3KP8.0A-AT	3KP8.0CA-AT	8.0	8.89~9.83	1	13.6	220.6	150
3KP8.5A-AT	3KP8.5CA-AT	8.5	9.44~10.40	1	14.4	208.3	50
3KP9.0A-AT	3KP9.0CA-AT	9.0	10.00~11.10	1	15.4	194.8	20
3KP10A-AT	3KP10CA-AT	10.0	11.10~12.30	1	17.0	176.5	15
3KP11A-AT	3KP11CA-AT	11.0	12.20~13.50	1	18.2	164.8	2
3KP12A-AT	3KP12CA-AT	12.0	13.30~14.70	1	19.9	150.8	2
3KP13A-AT	3KP13CA-AT	13.0	14.40~15.90	1	21.5	139.5	2
3KP14A-AT	3KP14CA-AT	14.0	15.60~17.20	1	23.2	129.3	2
3KP15A-AT	3KP15CA-AT	15.0	16.70~18.50	1	24.4	123.0	2
3KP16A-AT	3KP16CA-AT	16.0	17.80~19.70	1	26.0	115.4	2
3KP17A-AT	3KP17CA-AT	17.0	18.90~20.90	1	27.6	108.7	2
3KP18A-AT	3KP18CA-AT	18.0	20.00~22.10	1	29.2	102.7	2
3KP20A-AT	3KP20CA-AT	20.0	22.20~24.50	1	32.4	92.6	2
3KP22A-AT	3KP22CA-AT	22.0	24.40~26.90	1	35.5	84.5	2
3KP24A-AT	3KP24CA-AT	24.0	26.70~29.50	1	38.9	77.1	2
3KP26A-AT	3KP26CA-AT	26.0	28.90~31.90	1	42.1	71.3	2
3KP28A-AT	3KP28CA-AT	28.0	31.10~34.40	1	45.4	66.1	2
3KP30A-AT	3KP30CA-AT	30.0	33.30~36.80	1	48.4	62.0	2

Part Number		Reverse Stand-Off Voltage	Breakdown Voltage @ I_T	Test Current	Maximum Clamping Voltage @ I_{PP}	Peak Pulse Current	Reverse Leakage @ V_{RWM}
Unidirectional	Bidirectional	$V_{RWM}(V)$	$V_{BR}(V)$	$I_T(mA)$	$V_C(V)$	$I_{PP}(A)$	$I_R(\mu A)$
3KP33A-AT	3KP33CA-AT	33.0	36.70~40.60	1	53.3	56.3	2
3KP36A-AT	3KP36CA-AT	36.0	40.00~44.20	1	58.1	51.6	2
3KP40A-AT	3KP40CA-AT	40.0	44.40~49.10	1	64.5	46.5	2
3KP43A-AT	3KP43CA-AT	43.0	47.80~52.80	1	69.4	43.2	2
3KP45A-AT	3KP45CA-AT	45.0	50.00~55.30	1	72.7	41.3	2
3KP48A-AT	3KP48CA-AT	48.0	53.30~58.90	1	77.4	38.8	2
3KP51A-AT	3KP51CA-AT	51.0	56.70~62.70	1	82.4	36.4	2
3KP54A-AT	3KP54CA-AT	54.0	60.00~66.30	1	87.1	34.4	2
3KP58A-AT	3KP58CA-AT	58.0	64.40~71.20	1	93.6	32.1	2
3KP60A-AT	3KP60CA-AT	60.0	66.70~73.70	1	96.8	31.0	2
3KP64A-AT	3KP64CA-AT	64.0	71.10~78.60	1	103.0	29.1	2
3KP70A-AT	3KP70CA-AT	70.0	77.80~86.00	1	113.0	26.5	2
3KP75A-AT	3KP75CA-AT	75.0	83.30~92.10	1	121.0	24.8	2
3KP78A-AT	3KP78CA-AT	78.0	86.70~95.80	1	126.0	23.8	2
3KP85A-AT	3KP85CA-AT	85.0	94.40~104.00	1	137.0	21.9	2
3KP90A-AT	3KP90CA-AT	90.0	100.00~111.00	1	146.0	20.5	2
3KP100A-AT	3KP100CA-AT	100.0	111.00~123.00	1	162.0	18.5	2
3KP110A-AT	3KP110CA-AT	110.0	122.00~135.00	1	177.0	16.9	2
3KP120A-AT	3KP120CA-AT	120.0	133.00~147.00	1	193.0	15.5	2
3KP130A-AT	3KP130CA-AT	130.0	144.00~159.00	1	209.0	14.4	2
3KP150A-AT	3KP150CA-AT	150.0	167.00~185.00	1	243.0	12.3	2
3KP160A-AT	3KP160CA-AT	160.0	178.00~197.00	1	259.0	11.6	2
3KP170A-AT	3KP170CA-AT	170.0	189.00~209.00	1	275.0	10.9	2
3KP180A-AT	3KP180CA-AT	180.0	201.00~222.00	1	292.0	10.3	2
3KP190A-AT	3KP190CA-AT	190.0	211.00~233.00	1	308.0	9.7	2
3KP200A-AT	3KP200CA-AT	200.0	224.00~247.00	1	324.0	9.3	2
3KP210A-AT	3KP210CA-AT	210.0	237.00~263.00	1	340.0	8.8	2
3KP220A-AT	3KP220CA-AT	220.0	246.00~272.00	1	356.0	8.4	2

Notes: For bidirectional type having V_{RWM} of 10V and less, the I_R limit is double.

Ratings and Characteristic Curves ($T_A=25^\circ\text{C}$ unless otherwise noted)

Figure 1. Peak Pulse Power Rating Curve

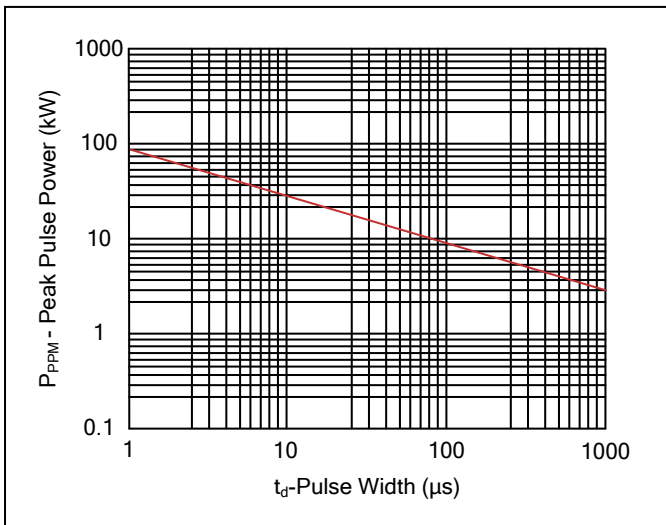


Figure 2. Pulse Derating Curve

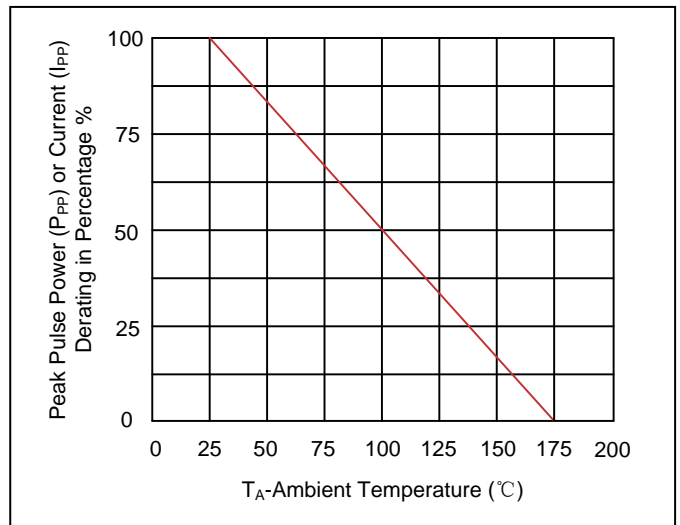


Figure 3. Pulse Waveform

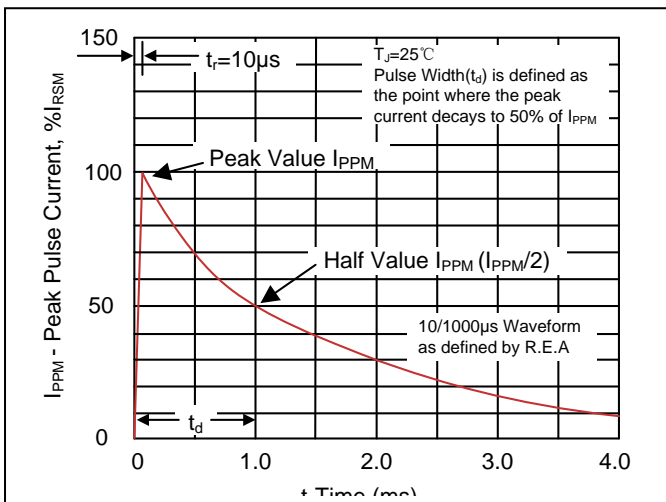


Figure 4. AC Line Protection Application

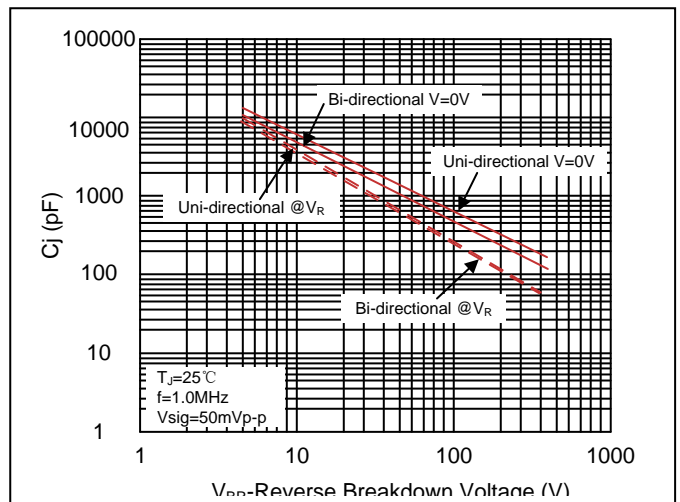


Figure 5. Steady State Power Dissipation Derating Curve

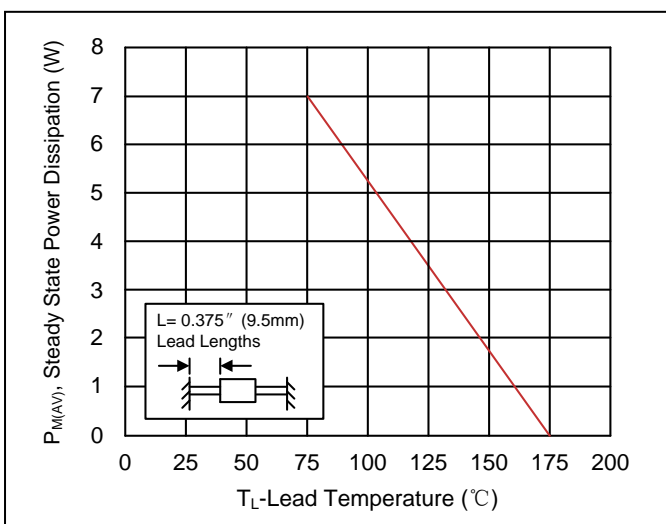
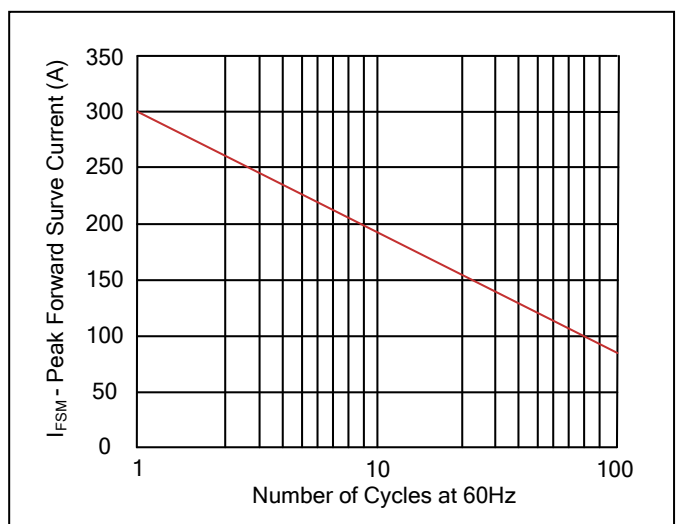
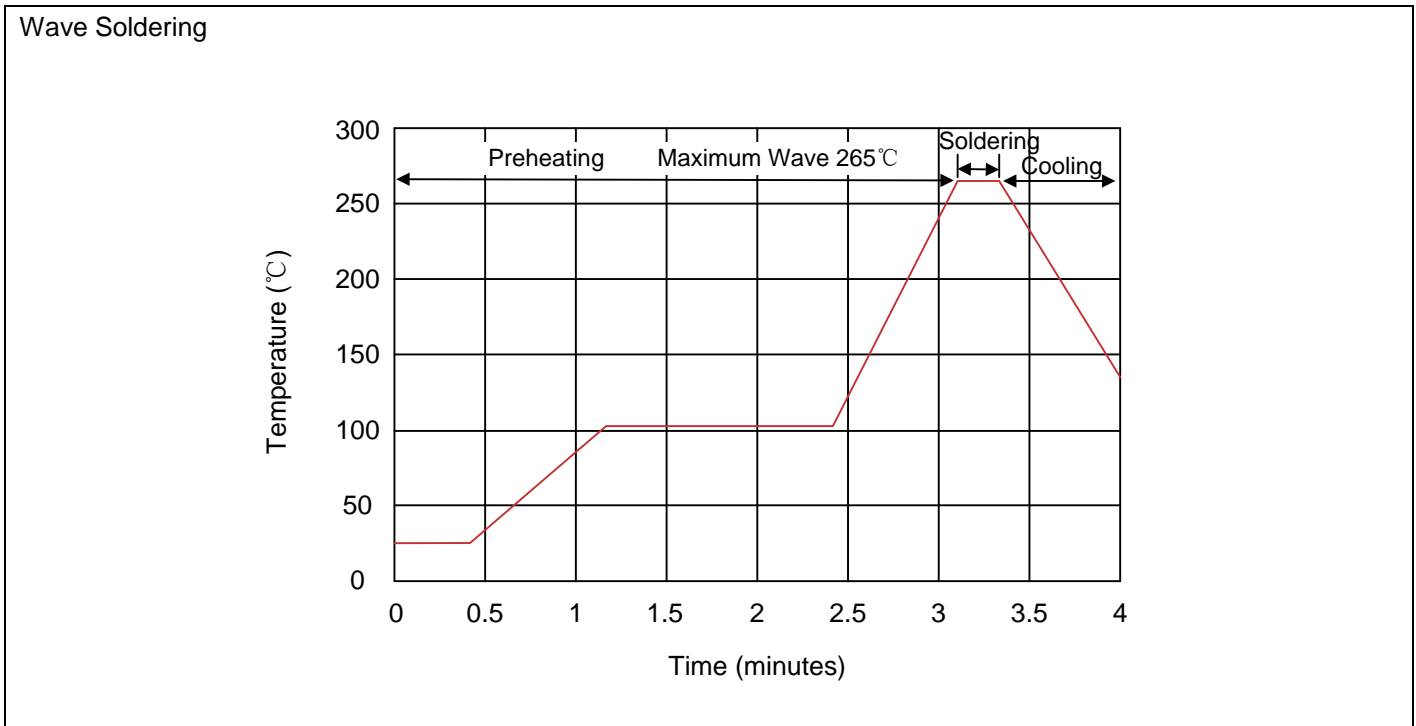


Figure 6. Maximum Non-Repetitive Forward Surge Current Uni-Directional Only



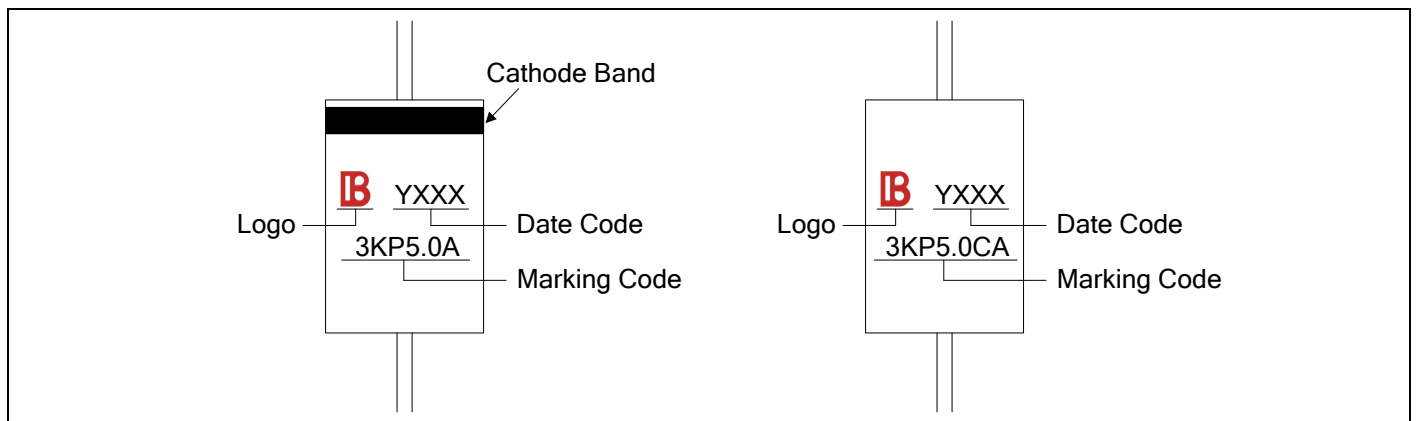
Recommended Soldering Conditions



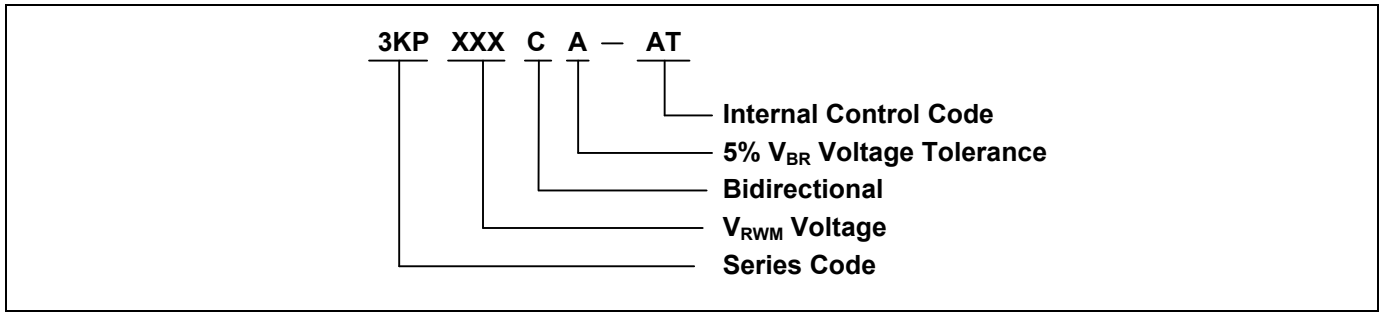
Recommended Conditions

Item	Conditions
Peak Temperature	265°C
Dipping Time	10 seconds
Soldering	1 time

Marking Code



Part Number Code



Ordering Code for Different Package

Box package: Add suffix "/B" at the end of the part number, such as 3KP15A-AT/B

Reel package: Add suffix "/TR13" at the end of the part number, such as 3KP100CA-AT/TR13

Packaging

	Symbol	Dimension (mm)
Tape	A	10.0±0.5
	B	53.0±1.0
	Z	1.2Max.
	T	6.0±0.4
	E	0.8Max.
	L1-L2	1.0Max.
	Box	L
W		75.0±5.0
H		114.0±5.0
Quantity: 300PCS		
Reel	D	330.0±3.0
	D0	16.4±2.0
	D1	86.0±2.0
	W1	76.0±3.0
	Quantity: 800PCS	