

Gas Discharge Tube (GDT) Data Sheet

Features

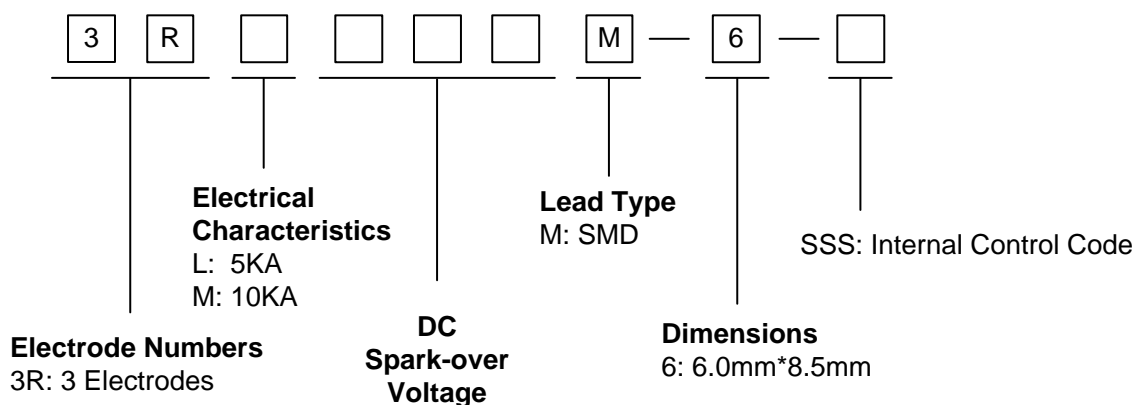
- Provide ultra-fast response to surge voltage from slow-rising surge of 100V/s to rapid-rising surge of 1KV/ μ s
- Stable breakdown voltage
- High insulation resistance
- Low capacitance (≤ 2 pF)
- High holdover voltage
- Large absorbing transient current capability
- Micro-Gap Design
- Size: 6.0mm*8.5mm
- Storage and operational temperature: $-40^{\circ}\text{C} \sim +85^{\circ}\text{C}$
- Meets MSL level 1, per J-STD-020
- Safety certification: E244458



Applications

- Repeaters, Modems
- Telephone Interface, Line cards
- Data communication equipment
- Line test equipment

Part Number Code



Marking

- B** : BrightKing Logo
- 3RM075-6 : Device Marking Code
- YXXX : Date Code

Dimensions

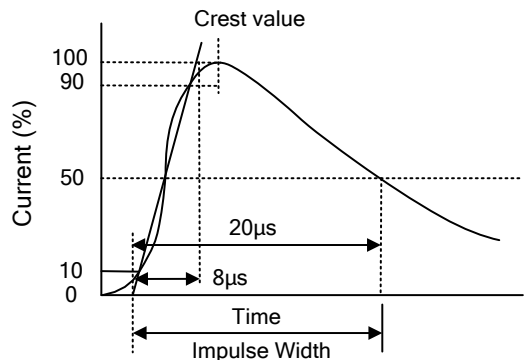
	Symbol	Dimension (mm)	
		Spec.	Tolerance
	D	6.0	±0.2
	D1	7.0	±0.2
	T	8.5	±0.5
	B	0.5	±0.2
B1	1.5	±0.2	

Electrical Characteristics

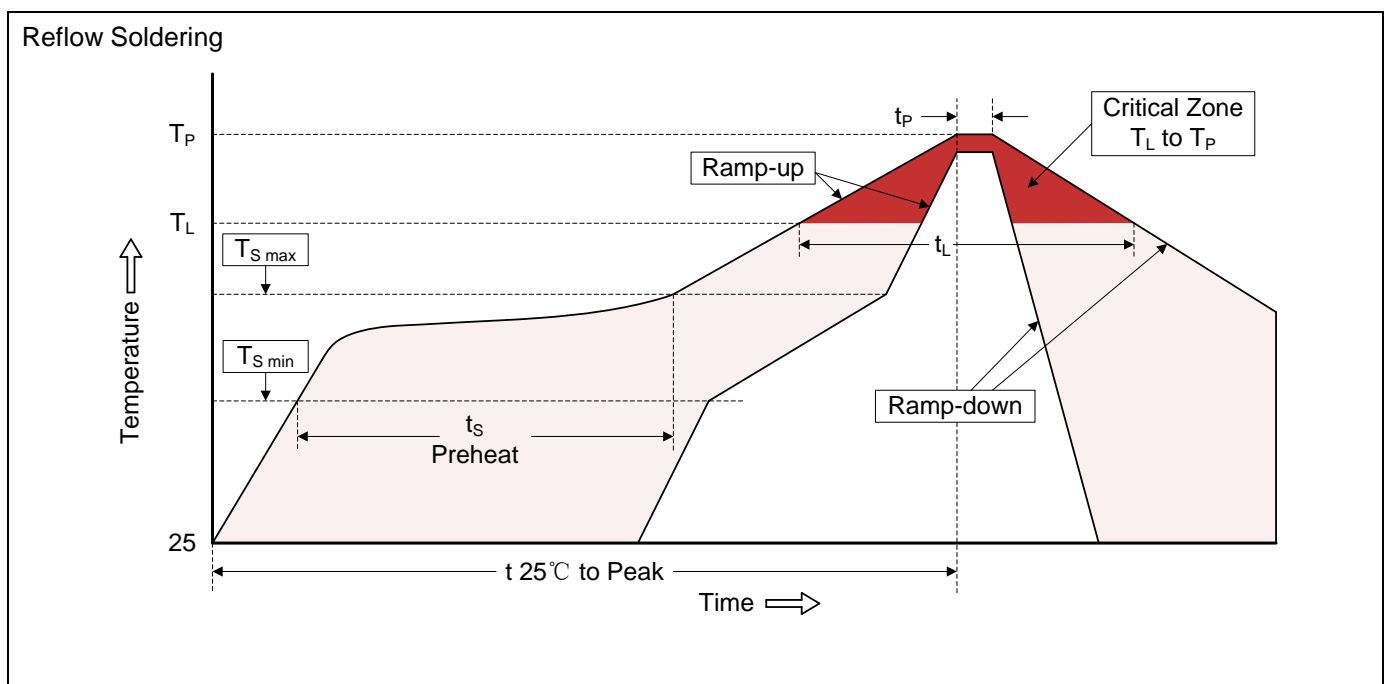
Part Number	Type ①	DC Spark-over Voltage	Maximum Impulse Spark-over Voltage	Nominal Impulse Discharge Current	Impulse Life	Minimum Insulation Resistance		Maximum Capacitance	Device Marking Code
		100V/s	1000V/μs	8/20μs 10times	10/1000μs 100A	Test Voltage	(GΩ)	1MHz	
		(V)	(V)	(KA)	(times)	DC(V))	(pF)	
3RL075M-6	SSS	75±20%	750	5.0	300	25	1.0	2.0	3RL075-6
3RL090M-6	SSS	90±20%	750	5.0	300	50	1.0	2.0	3RL090-6
3RL150M-6	SSS	150±20%	800	5.0	300	100	1.0	2.0	3RL150-6
3RL230M-6	SSS	230±20%	800	5.0	300	100	1.0	2.0	3RL230-6
3RL250M-6	SSS	250±20%	800	5.0	300	100	1.0	2.0	3RL250-6
3RL300M-6	SSS	300±20%	850	5.0	300	100	1.0	2.0	3RL300-6
3RL350M-6	SSS	350±20%	900	5.0	300	100	1.0	2.0	3RL350-6
3RL470M-6	SSS	470±20%	1100	5.0	300	250	1.0	2.0	3RL470-6
3RL600M-6	SSS	600±20%	1300	5.0	300	250	1.0	2.0	3RL600-6
3RM075M-6	SSS	75±20%	750	10	300	25	1.0	2.0	3RM075-6
3RM090M-6	SSS	90±20%	750	10	300	50	1.0	2.0	3RM090-6
3RM150M-6	SSS	150±20%	800	10	300	100	1.0	2.0	3RM150-6
3RM230M-6	SSS	230±20%	800	10	300	100	1.0	2.0	3RM230-6
3RM250M-6	SSS	250±20%	800	10	300	100	1.0	2.0	3RM250-6
3RM300M-6	SSS	300±20%	850	10	300	100	1.0	2.0	3RM300-6
3RM350M-6	SSS	350±20%	900	10	300	100	1.0	2.0	3RM350-6
3RM470M-6	SSS	470±20%	1100	10	300	250	1.0	2.0	3RM470-6
3RM600M-6	SSS	600±20%	1300	10	300	250	1.0	2.0	3RM600-6

Notes : ① Specific code by request.

Electrical Ratings

Items	Test Condition/Description	Requirement
DC Spark-over Voltage	The voltage is measured with voltage ramp $dv/dt=100V/s$. Test is between each side electrode and center electrode.	To meet the specified value
Maximum Impulse Spark-over Voltage	The maximum impulse spark-over voltage is measured with voltage ramp $dv/dt=1000V/\mu s$. Test is between each side electrode and center electrode.	
Impulse Discharge Current	<p>Maximum surge current that can be applied through center electrode with $8/20\mu s$ waveform, for 10 times with 3min interval time, which will be equally divided between each side electrode to center electrode, without causing the DC breakdown voltage to change more than 25% from its initial measured value.</p> 	
Insulation Resistance	The resistance of gas tube shall be measured between each side electrodes and center electrode.	
Capacitance	The capacitance of gas tube shall be measured between each side electrodes and center electrode. Test frequency: 1MHz	

Recommended Soldering Conditions

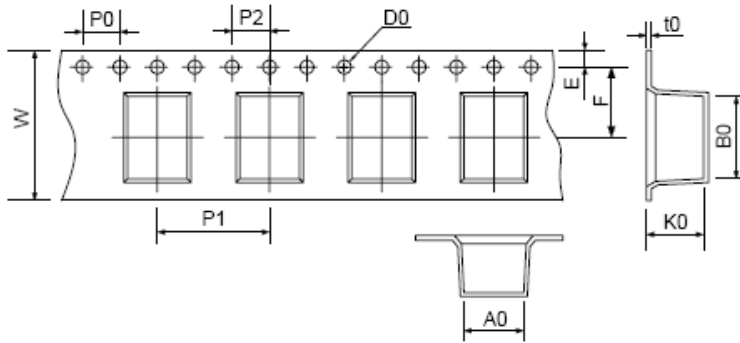


Recommended Conditions

Profile Feature	Pb-Free Assembly
Average ramp-up rate (T_L to T_P)	3°C/second max.
Preheat -Temperature Min ($T_{S\ min}$) -Temperature Max ($T_{S\ max}$) -Time (min to max) (ts)	150°C 200°C 60-180 seconds
$T_{S\ max}$ to T_L -Ramp-up Rate	3°C/second max.
Time maintained above: -Temperature (T_L) -Time (t_L)	217°C 60-150 seconds
Peak Temperature (T_P)	260°C
Time within 5°C of actual Peak Temperature (t_P)	20-40 seconds
Ramp-down Rate	6°C/second max.
Time 25°C to Peak Temperature	8 minutes max.

Packaging

Tape



Symbol	Dimension (mm)	
	Spec.	Tolerance
W	16.00	±0.20
P0	4.00	±0.10
P1	12.00	±0.20
P2	4.00	±0.10
D0	1.55	±0.10
E	1.75	±0.10
F	7.50	±0.10
A0	6.35	±0.10
K0	6.20	±0.10
B0	8.80	±0.10
t0	0.50	±0.10
D	330.00	±1.00
d	13.00	±0.50
L	20.00	±0.50
t	2.00	±0.20
Quantity: 800pcs		

Reel

