

Transient Voltage Suppressors (TVS) Data Sheet

Features

- Glass passivated junction
- Low zener impedance
- Excellent clamping capability
- 1500W peak pulse power capability at 10/1000µs waveform, repetition rate (duty cycle): 0.01%
- Fast response time
- Typical I_R less than 1µA above 12V.
- High Temperature soldering guaranteed: 265°C/10 seconds/.375", (9.5mm) lead length, 5lbs (2.3kg) tension
- Plastic package has underwriters laboratory flammability 94V-0
- Meets MSL level 1, per J-STD-020.
- Safety certification: UL
- AEC-Q101 qualified
- IEC61000-4-2 ESD 30KV Air, 30KV contact compliance



Mechanical Data

- Case: JEDEC DO-201 Moulded plastic
- Terminal: Plated Axial leads, solderable per MIL-STD-750, Method 2026
- Polarity: Color band denotes cathode except bi-directional models
- Mounting Position: Any
- Weight: 0.97g

Applications

- I/O interface
- AC/DC power supply
- Low frequency signal transmission line (RS232, RS485, etc.)

Maximum Ratings and Characteristics

Ratings at 25°C ambient temperature unless otherwise specified.

Rating	Symbol	Value	Units
Peak pulse power dissipation at 10/1000µs waveform (Note1, Fig.1)	P_{PPM}	Minimum 1500	Watts
Peak pulse current of at 10/1000µs waveform (Note 1, Fig.3)	I_{PPM}	See Table	Amps
Steady state power dissipation at $T_L=75^\circ\text{C}$ (Fig.5)	$P_{M(AV)}$	6.5	Watts
Peak forward surge current, 8.3ms single half sine-wave superimposed on rated load, (JEDEC Method) (Note2, Fig.6)	I_{FSM}	200	Amps
Operating junction and Storage Temperature Range.	T_J, T_{STG}	-55 to +150	°C
Typical thermal resistance junction to lead	$R_{\theta JL}$	15	°C/W
Typical thermal resistance junction to ambient	$R_{\theta JA}$	75	°C/W

Notes: 1. Non-repetitive current pulse, per Fig.3 and derated above $T_A=25^\circ\text{C}$ per Fig.2.

2. 8.3ms single half sine-wave, or equivalent square wave, duty cycle=4 pulses per minutes maximum.

Dimensions (DO-201)

	Symbol	Millimeters		Inches	
		Min.	Max.	Min.	Max.
	L	25.40	-	1.000	-
	T	7.20	9.50	0.285	0.375
	d	4.80	5.30	0.190	0.210
s	0.96	1.07	0.038	0.042	

Electrical Characteristics (T_A=25°C)

Part Number		Reverse Stand-Off Voltage	Breakdown Voltage @I _T	Test Current	Maximum Clamping Voltage @I _{PP}	Peak Pulse Current	Reverse Leakage @V _{RWM}
Unidirectional	Bidirectional	V _{RWM} (V)	V _{BR} (V)	I _T (mA)	V _C (V)	I _{PP} (A)	I _R (μA)
1.5KE6.8A-AT	1.5KE6.8CA-AT	5.80	6.45~7.14	10	10.5	144.8	1000
1.5KE7.5A-AT	1.5KE7.5CA-AT	6.40	7.13~7.88	10	11.3	134.5	500
1.5KE8.2A-AT	1.5KE8.2CA-AT	7.02	7.79~8.61	10	12.1	125.6	200
1.5KE9.1A-AT	1.5KE9.1CA-AT	7.78	8.65~9.55	1	13.4	113.4	50
1.5KE10A-AT	1.5KE10CA-AT	8.55	9.50~10.50	1	14.5	104.8	10
1.5KE11A-AT	1.5KE11CA-AT	9.40	10.50~11.60	1	15.6	97.4	5
1.5KE12A-AT	1.5KE12CA-AT	10.20	11.40~12.60	1	16.7	91.0	5
1.5KE13A-AT	1.5KE13CA-AT	11.10	12.40~13.70	1	18.2	83.5	1
1.5KE15A-AT	1.5KE15CA-AT	12.80	14.30~15.80	1	21.2	71.7	1
1.5KE16A-AT	1.5KE16CA-AT	13.60	15.20~16.80	1	22.5	67.6	1
1.5KE18A-AT	1.5KE18CA-AT	15.30	17.10~18.90	1	25.2	60.3	1
1.5KE20A-AT	1.5KE20CA-AT	17.10	19.00~21.00	1	27.7	54.9	1
1.5KE22A-AT	1.5KE22CA-AT	18.80	20.90~23.10	1	30.6	49.7	1
1.5KE24A-AT	1.5KE24CA-AT	20.50	22.80~25.20	1	33.2	45.8	1
1.5KE27A-AT	1.5KE27CA-AT	23.10	25.70~28.40	1	37.5	40.5	1
1.5KE30A-AT	1.5KE30CA-AT	25.60	28.50~31.50	1	41.4	36.7	1
1.5KE33A-AT	1.5KE33CA-AT	28.20	31.40~34.70	1	45.7	33.3	1
1.5KE36A-AT	1.5KE36CA-AT	30.80	34.20~37.80	1	49.9	30.5	1
1.5KE39A-AT	1.5KE39CA-AT	33.30	37.10~41.00	1	53.9	28.2	1

Electrical Characteristics (T_A=25°C)

Part Number		Reverse Stand-Off Voltage	Breakdown Voltage @I _T	Test Current	Maximum Clamping Voltage @I _{PP}	Peak Pulse Current	Reverse Leakage @V _{RWM}
Unidirectional	Bidirectional	V _{RWM} (V)	V _{BR} (V)	I _T (mA)	V _C (V)	I _{PP} (A)	I _R (μA)
1.5KE43A-AT	1.5KE43CA-AT	36.80	40.90~45.20	1	59.3	25.6	1
1.5KE47A-AT	1.5KE47CA-AT	40.20	44.70~49.40	1	64.8	23.5	1
1.5KE51A-AT	1.5KE51CA-AT	43.60	48.50~53.60	1	70.1	21.7	1
1.5KE56A-AT	1.5KE56CA-AT	47.80	53.20~58.80	1	77.0	19.7	1
1.5KE62A-AT	1.5KE62CA-AT	53.00	58.90~65.10	1	85.0	17.9	1
1.5KE68A-AT	1.5KE68CA-AT	58.10	64.60~71.40	1	92.0	16.5	1
1.5KE75A-AT	1.5KE75CA-AT	64.10	71.30~78.80	1	103.0	14.8	1
1.5KE82A-AT	1.5KE82CA-AT	70.10	77.90~86.10	1	113.0	13.5	1
1.5KE91A-AT	1.5KE91CA-AT	77.80	86.50~95.50	1	125.0	12.2	1
1.5KE100A-AT	1.5KE100CA-AT	85.50	95.00~105.00	1	137.0	11.1	1
1.5KE110A-AT	1.5KE110CA-AT	94.00	105.00~116.00	1	152.0	10.0	1
1.5KE120A-AT	1.5KE120CA-AT	102.00	114.00~126.00	1	165.0	9.2	1
1.5KE130A-AT	1.5KE130CA-AT	111.00	124.00~137.00	1	179.0	8.5	1
1.5KE150A-AT	1.5KE150CA-AT	128.00	143.00~158.00	1	207.0	7.3	1
1.5KE160A-AT	1.5KE160CA-AT	136.00	152.00~168.00	1	219.0	6.9	1
1.5KE170A-AT	1.5KE170CA-AT	145.00	162.00~179.00	1	234.0	6.5	1
1.5KE180A-AT	1.5KE180CA-AT	154.00	171.00~189.00	1	246.0	6.2	1
1.5KE200A-AT	1.5KE200CA-AT	171.00	190.00~210.00	1	274.0	5.5	1
1.5KE220A-AT	1.5KE220CA-AT	185.00	209.00~231.00	1	328.0	4.6	1
1.5KE250A-AT	1.5KE250CA-AT	214.00	237.00~263.00	1	344.0	4.4	1
1.5KE300A-AT	1.5KE300CA-AT	256.00	285.00~315.00	1	414.0	3.7	1
1.5KE350A-AT	1.5KE350CA-AT	300.00	332.00~368.00	1	482.0	3.2	1
1.5KE400A-AT	1.5KE400CA-AT	342.00	380.00~420.00	1	548.0	2.8	1
1.5KE440A-AT	1.5KE440CA-AT	376.00	418.00~462.00	1	602.0	2.5	1
1.5KE480A-AT	1.5KE480CA-AT	408.00	456.00~504.00	1	658.0	2.3	1
1.5KE510A-AT	1.5KE510CA-AT	434.00	485.00~535.00	1	698.0	2.1	1
1.5KE530A-AT	1.5KE530CA-AT	450.00	503.50~556.50	1	725.0	2.1	1
1.5KE540A-AT	1.5KE540CA-AT	459.00	513.00~567.00	1	740.0	2.0	1
1.5KE550A-AT	1.5KE550CA-AT	467.00	522.50~577.50	1	760.0	2.0	1
1.5KE600A-AT	1.5KE600CA-AT	510.00	570.00~630.00	1	828.0	1.8	1

Ratings and Characteristic Curves ($T_A=25^\circ\text{C}$ unless otherwise noted)

Figure 1. Peak Pulse Power Rating Curve

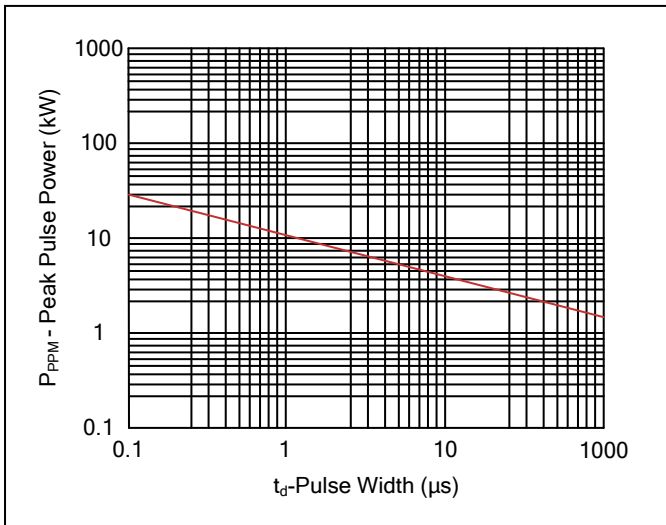


Figure 2. Pulse Derating Curve

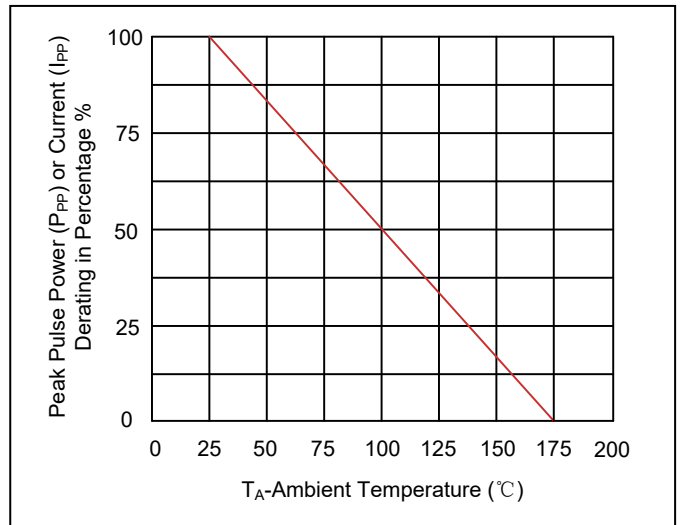


Figure 3. Pulse Waveform

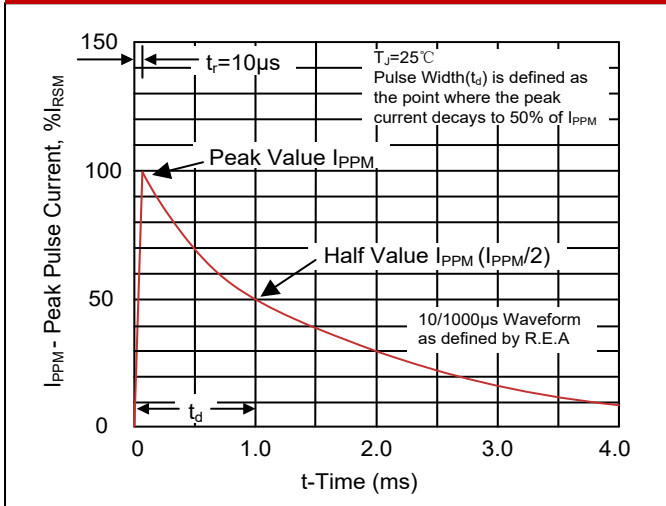


Figure 4. Typical Junction Capacitance

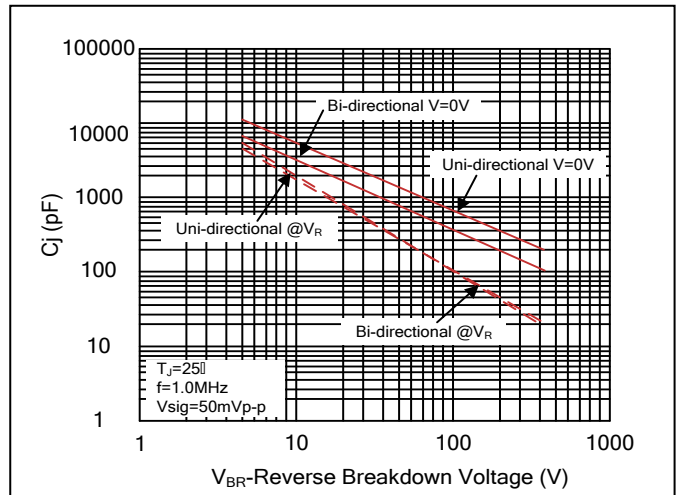


Figure 5. Steady State Power Dissipation Derating Curve

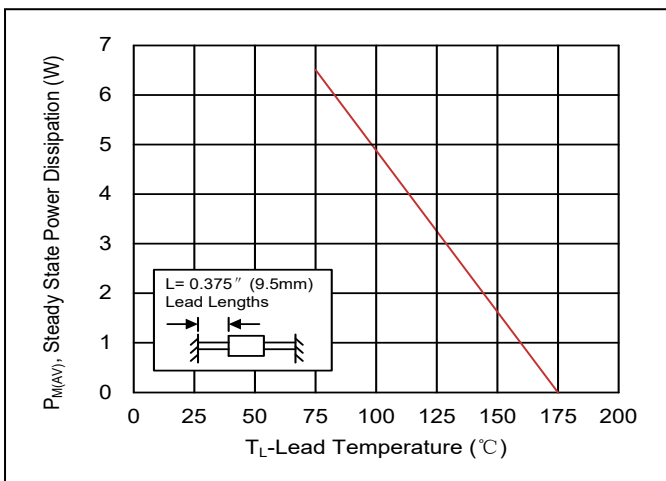
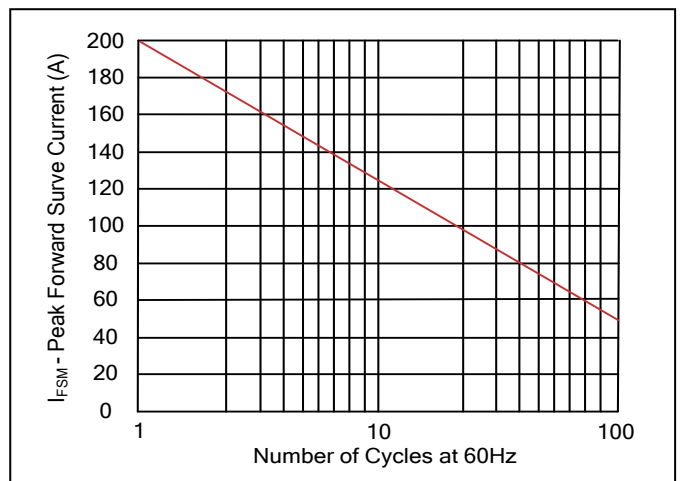
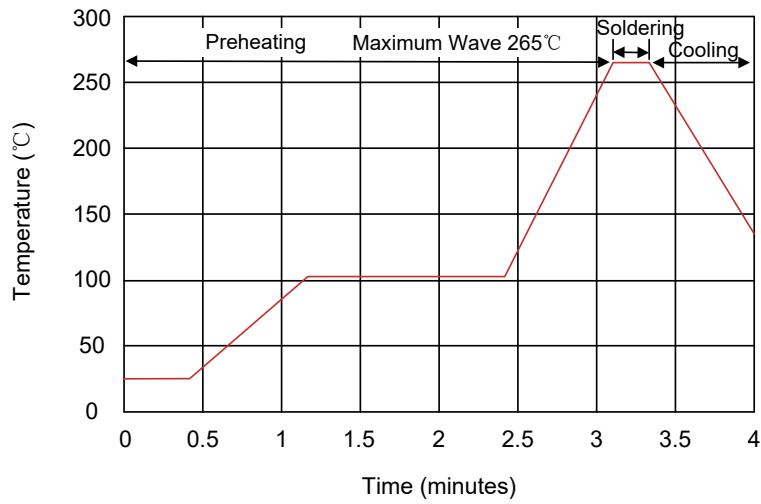


Figure 6. Maximum Non-Repetitive Forward Surge Current Uni-Directional Only



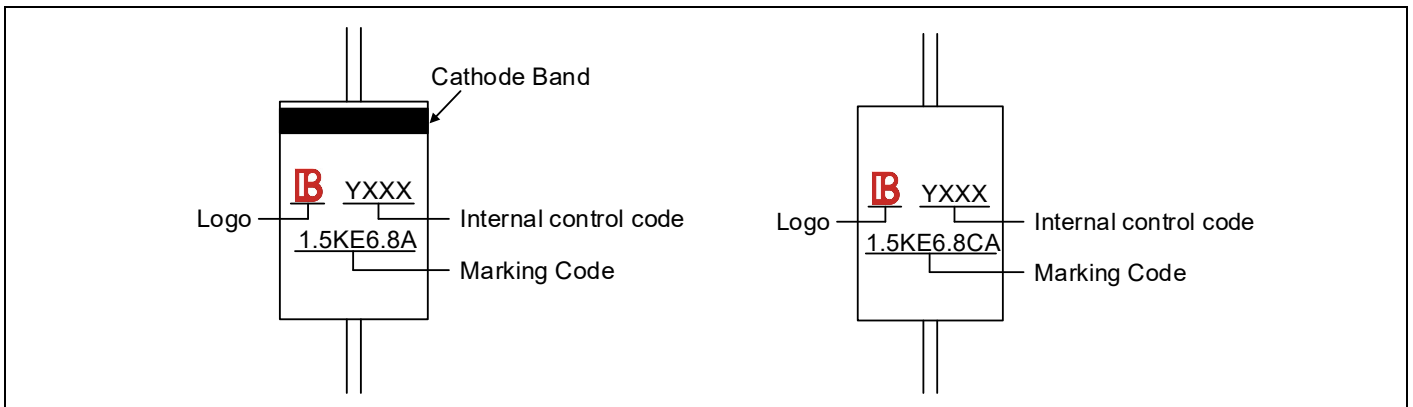
Recommended Soldering Conditions

Wave Soldering

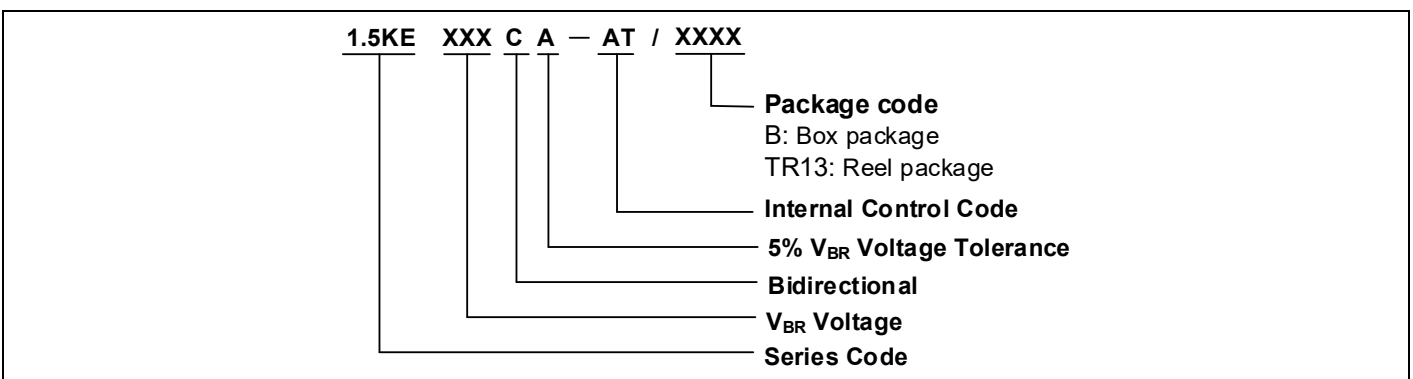


Item	Conditions
Peak Temperature	265°C
Dipping Time	10 seconds
Soldering	1 time

Marking Code



Part Number Code

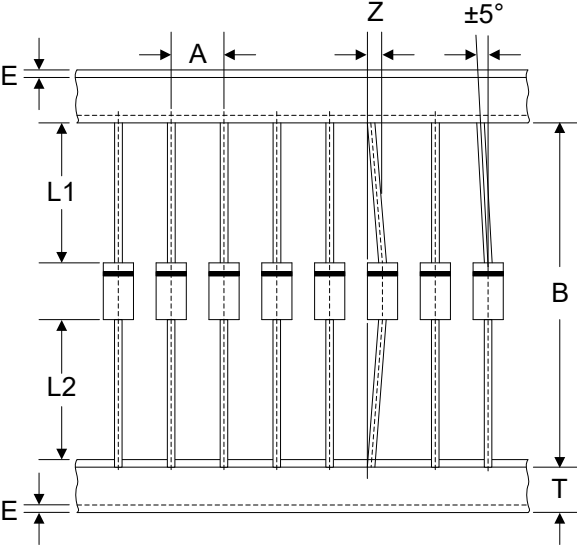
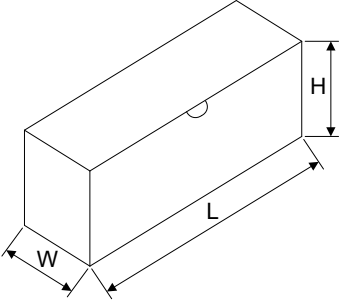
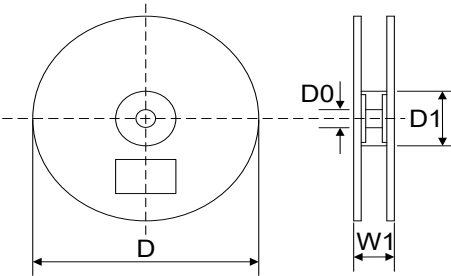


Ordering Code for Different Package

Box package: Add suffix "/B" at the end of the part number, such as 1.5KEXXXCA-AT/B

Reel package: Add suffix "/TR13" at the end of the part number, such as 1.5KEXXXCA-AT/TR13

Packaging

Tape	Symbol Dimension (mm)	
	A	10.0±0.5
	B	53.0±1.0
	Z	1.2Max.
	T	6.0±0.4
	E	0.8Max.
	L1-L2	1.0Max.
	<p data-bbox="108 1102 159 1131">Box</p> 	L
W		75.0±5.0
H		114.0±5.0
Quantity: 1000PCS		
<p data-bbox="108 1498 159 1527">Reel</p> 	D	330.0±3.0
	D0	16.4±2.0
	D1	86.0±2.0
	W1	76.0±3.0
	Quantity: 1200PCS	